



Preparation Tables

Designed and manufactured to your specifications

A range of high quality, easy to clean preparation tables suitable for wall, corner or central locations. The heavy duty work surface is manufactured in 1.5mm (16SWG) 304 quality stainless steel and is supported by under-struts attached to tubular stainless steel legs and an undershelf which is constructed from 1.2mm (18SWG) stainless steel. The tables are offered as self-erect or as fully welded for heavy duty installations.

Optional Items:- A range of optional items is available including stainless steel drawers with lift out pan, castors, upstands at ends and additional re-inforcing for special applications.

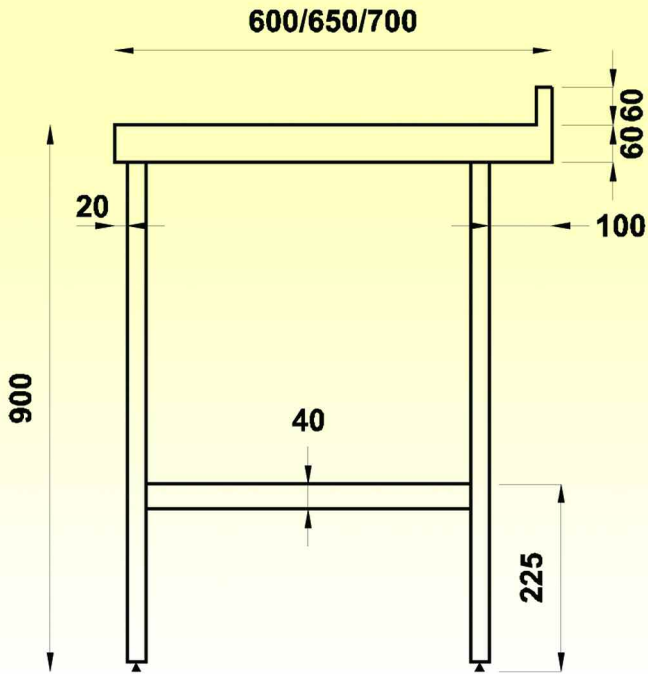
Bespoke Products available on request.



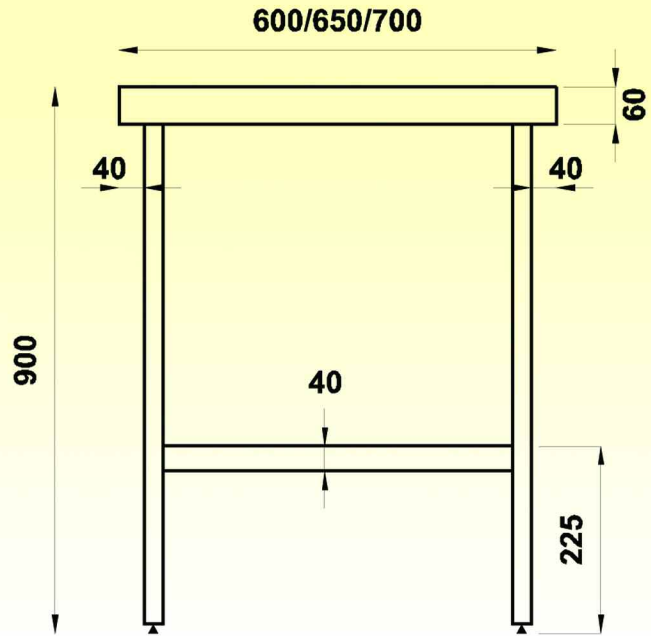
F3

- **FOOD ENGINEERING**
- **VENTILATION**
- **MAINTENANCE**

35 Seagoe Industrial Estate,
Portadown, Co. Armagh
Northern Ireland BT63 5QD.
T: 028 3833 9770
F: 028 3835 0220
info@f3-eng.com
www.f3-eng.com



Front View



Side View

Standard Sizes

Length		Width		Height
600	X	600/650/700	X	900mm
900	X	600/650/700	X	900mm
1200	X	600/650/700	X	900mm
1500	X	600/650/700	X	900mm
1800	X	600/650/700	X	900mm
2100	X	600/650/700	X	900mm
2400	X	600/650/700	X	900mm
2900	X	600/650/700	X	900mm



Sink Units

Designed and manufactured to your specifications

High quality, heavy duty sink units with 304 quality stainless steel tops supported by tubular legs and undershelf. The units are offered as self erect or fully welded for heavy duty installations.

Optional Items

- Dishwasher Space Underneath
- Overhead Spray Units
- Valance
- Cupboard Enclosure
- Lockable Detergent Cupboard
- Taps to Customer Specifications
- Wash Hand Basin

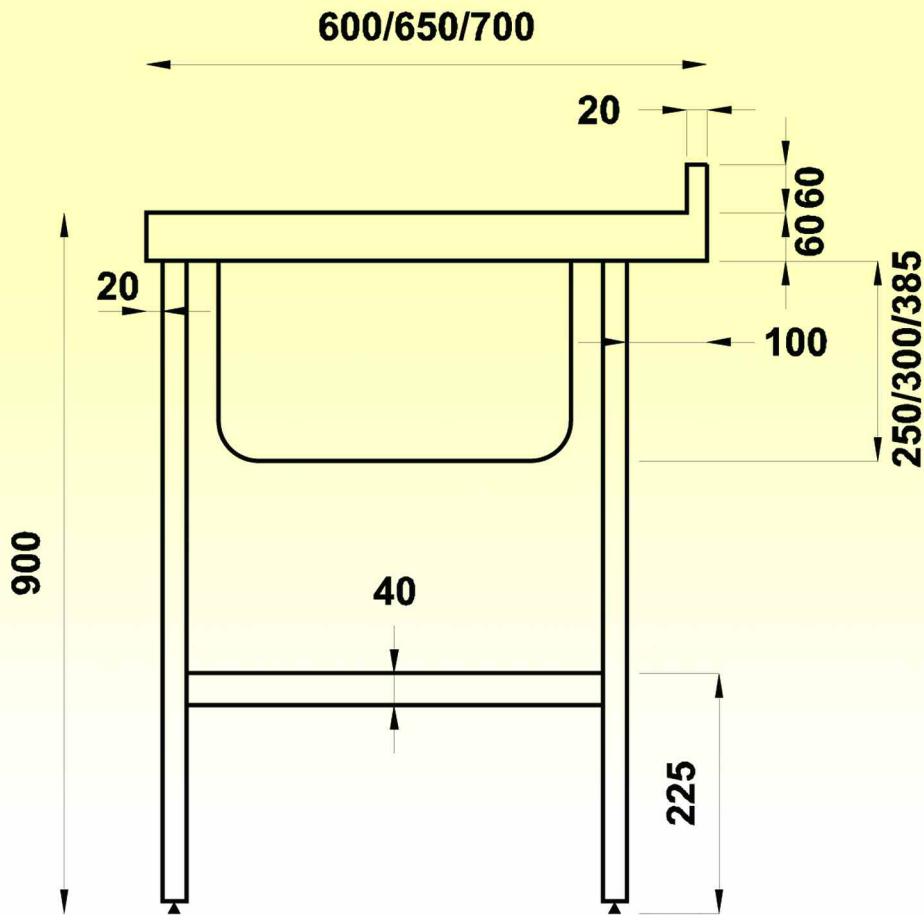
Bespoke Products available on request.



F3

- **FOOD ENGINEERING**
- **VENTILATION**
- **MAINTENANCE**

35 Seagoe Industrial Estate,
Portadown, Co. Armagh
Northern Ireland BT63 5QD.
T: 028 3833 9770
F: 028 3835 0220
info@f3-eng.com
www.f3-eng.com



Side View

Standard Sizes

Length	Width	
1200	600/650/700	Single Bowl/Single Drainer
1500	600/650/700	} Single Bowl/Double Drainer
1800	600/650/700	
1800	600/650/700	Double Bowl/Single Drainer
2400	600/650/700	Double Bowl/Double Drainer

Bowl Sizes Available

- 760mm x 510mm x 380mm
- 760mm x 510mm x 300mm
- 610mm x 455mm x 416mm (education)
- 610mm x 455mm x 300mm
- 610mm x 455mm x 250mm
- 500mm x 400mm x 300mm
- 500mm x 400mm x 250mm
- 400mm x 400mm x 300mm
- 400mm x 400mm x 250mm
- 380mm x 300mm x 180mm (weld in whb)
- 360mm diameter x 170mm (weld in whb)



Storage Racks

Designed and manufactured to your specifications

A range of extra strong, high quality, shelving units in 304 quality stainless steel. Shelves can be supplied plain, perforated or slatted for suitable applications. The range is offered with adjustable or fully welded shelves and can be fixed or mobile.

Optional Items

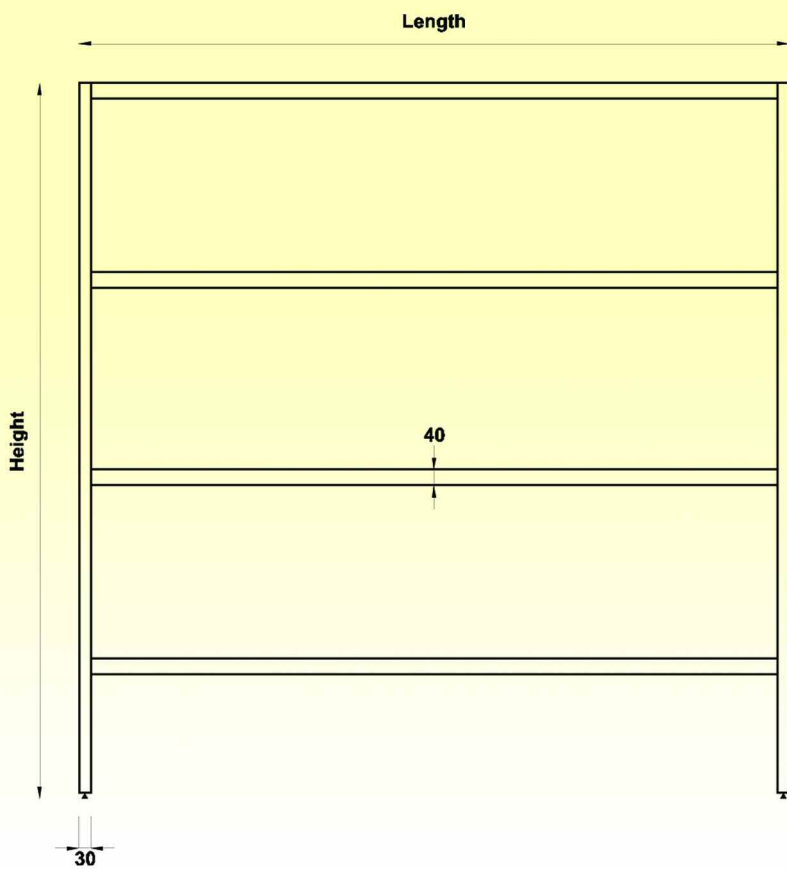
- Wall Shelves also Available
- 430 Quality Assurance available on Request
- Manufactured to Customer's Specification
- Set of 4 Castors Available

Bespoke Products available on request.

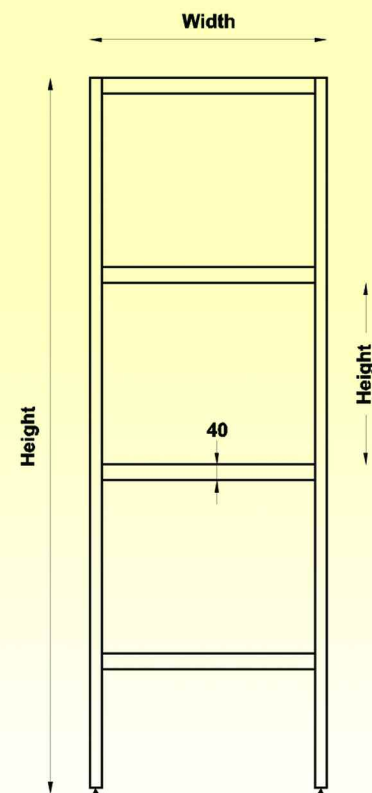
**F3**

- **FOOD ENGINEERING**
- **VENTILATION**
- **MAINTENANCE**

35 Seagoe Industrial Estate,
Portadown, Co. Armagh
Northern Ireland BT63 5QD.
T: 028 3833 9770
F: 028 3835 0220
info@f3-eng.com
www.f3-eng.com



Front View



Side View

Standard Shelf Sizes

Length		Width
900	X	400/500/600mm
1200	X	400/500/600mm
1500	X	400/500/600mm

When ordering please specify Length, Width, Height, Number and Spacing of Shelves.



Dish Washer Tables

Designed and manufactured to your specifications

A range of high quality dish washer tables with 1.5mm 304 quality stainless steel tops with supporting tubular legs and undershelf. Manufactured to suit all commercial dishwashers.

Optional Items

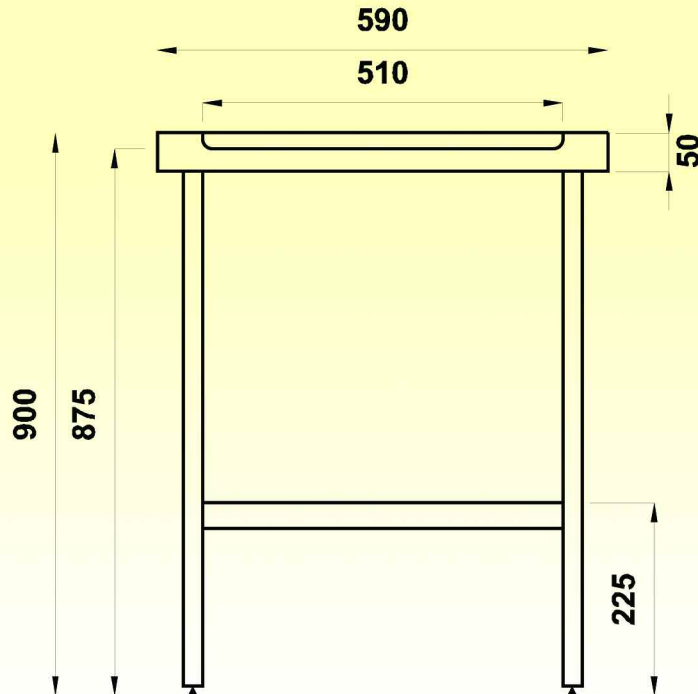
- Sink Bowl
- Pre-Rinse Spray
- Splash Guard
- Waste Disposal Cone
- Extended Top
- Basket Storage Runners
- Scraping Ring
- Rollers
- Add-on Faucet

Bespoke Products available on request.

**F3**

- **FOOD ENGINEERING**
- **VENTILATION**
- **MAINTENANCE**

35 Seagoe Industrial Estate,
Portadown, Co. Armagh
Northern Ireland BT63 5QD.
T: 028 3833 9770
F: 028 3835 0220
info@f3-eng.com
www.f3-eng.com



Side View

Please specify make and model of dishwasher when ordering

Standard Sizes

Length

600	X	One basket
1200	X	Two baskets
1600	X	Three baskets
2100	X	Four baskets



Mobile Tray Rack

Designed and manufactured to your specifications

High quality mobile tray racks for all applications in the commercial kitchen. The runners are fully welded for maximum strength and are mounted in a strong box section outer frame. Manufactured from 304 quality stainless steel.

Optional Items

- Various Sizes Available
- Also Available as a Static Tray Rack

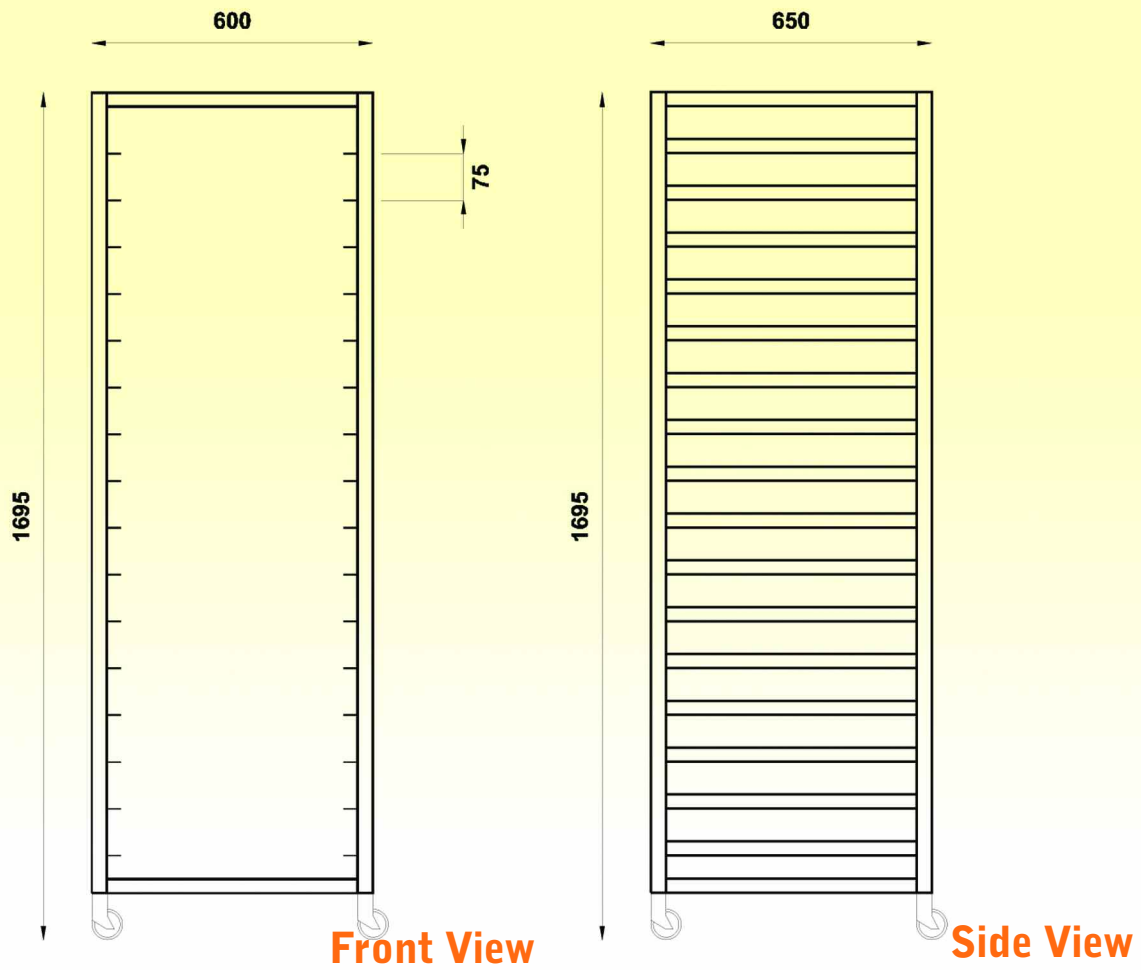
Bespoke Products available on request.



F3

- **FOOD ENGINEERING**
- **VENTILATION**
- **MAINTENANCE**

35 Seagoe Industrial Estate,
Portadown, Co. Armagh
Northern Ireland BT63 5QD.
T: 028 3833 9770
F: 028 3835 0220
info@f3-eng.com
www.f3-eng.com



All units are manufactured to order and customers are asked to provide the following information when ordering:

- Static or Mobile
- Overall Height
- Tray Size
- Tray Spacing
- Front Loading or Pass Through



Clearing Trolley

Designed and manufactured to your specifications

A range of high quality trolleys in 304 quality 1.2mm stainless steel. Available in 2,3 or 4 tiers. Trolleys are a welded construction but can be supplied with removable shelves.

Optional Items

- Heavy Duty Available
- Available to customer dimensions and specifications

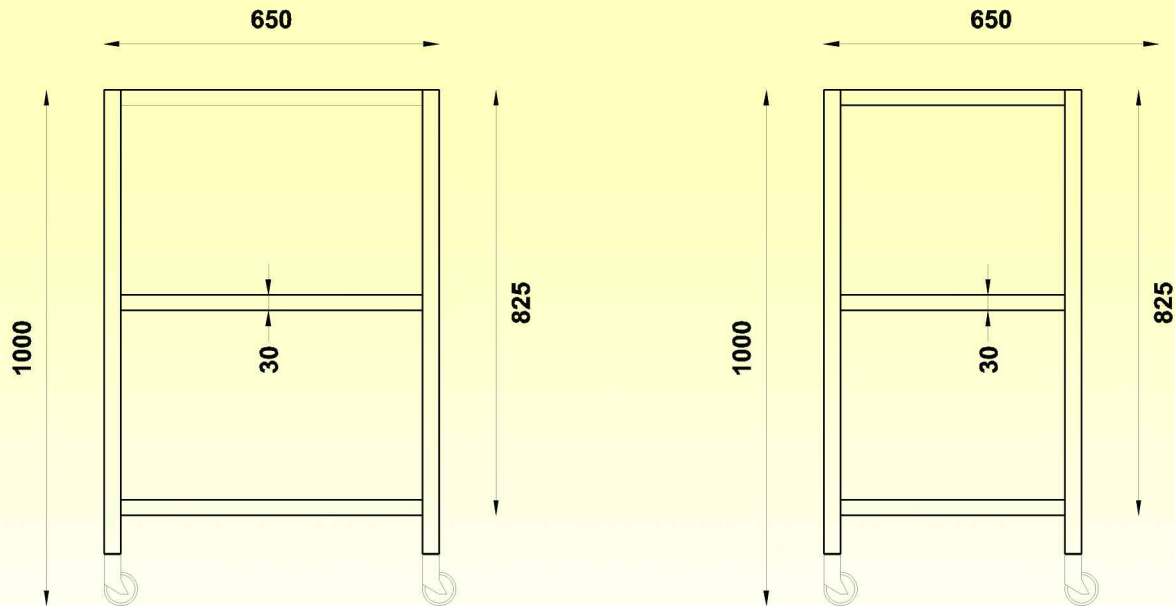
Bespoke Products available on request.



F3

- **FOOD ENGINEERING**
- **VENTILATION**
- **MAINTENANCE**

35 Seagoe Industrial Estate,
Portadown, Co. Armagh
Northern Ireland BT63 5QD.
T: 028 3833 9770
F: 028 3835 0220
info@f3-eng.com
www.f3-eng.com



Standard Tray

Length Width
900mm x 600mm

When ordering, please specify length, width, height, number and spanning of tiers.



Wall Cupboards

Designed and manufactured to your specifications

A range of high quality, heavy duty 304 quality stainless steel wall cupboards with double skin doors mounted on continuous piano hinges for extra rigidity and strength.

Optional Items

- Sliding Glass Doors
- 430 Quality Stainless Steel Available on Request
- Adjustable Shelving on Request

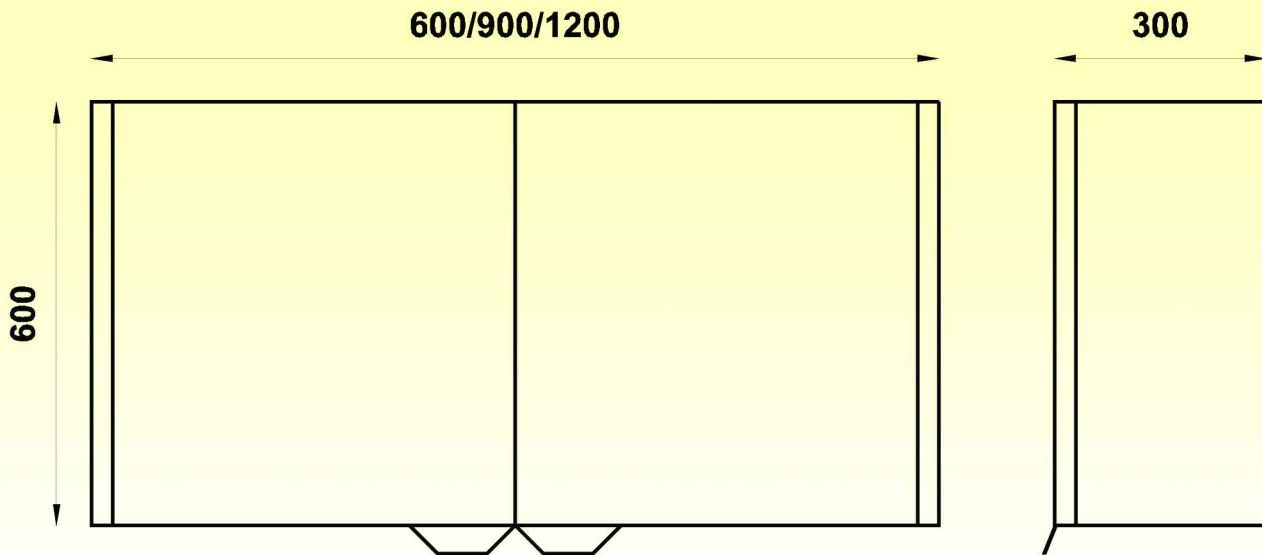
Bespoke Products available on request.



F3

- **FOOD ENGINEERING**
- **VENTILATION**
- **MAINTENANCE**

35 Seagoe Industrial Estate,
Portadown, Co. Armagh
Northern Ireland BT63 5QD.
T: 028 3833 9770
F: 028 3835 0220
info@f3-eng.com
www.f3-eng.com

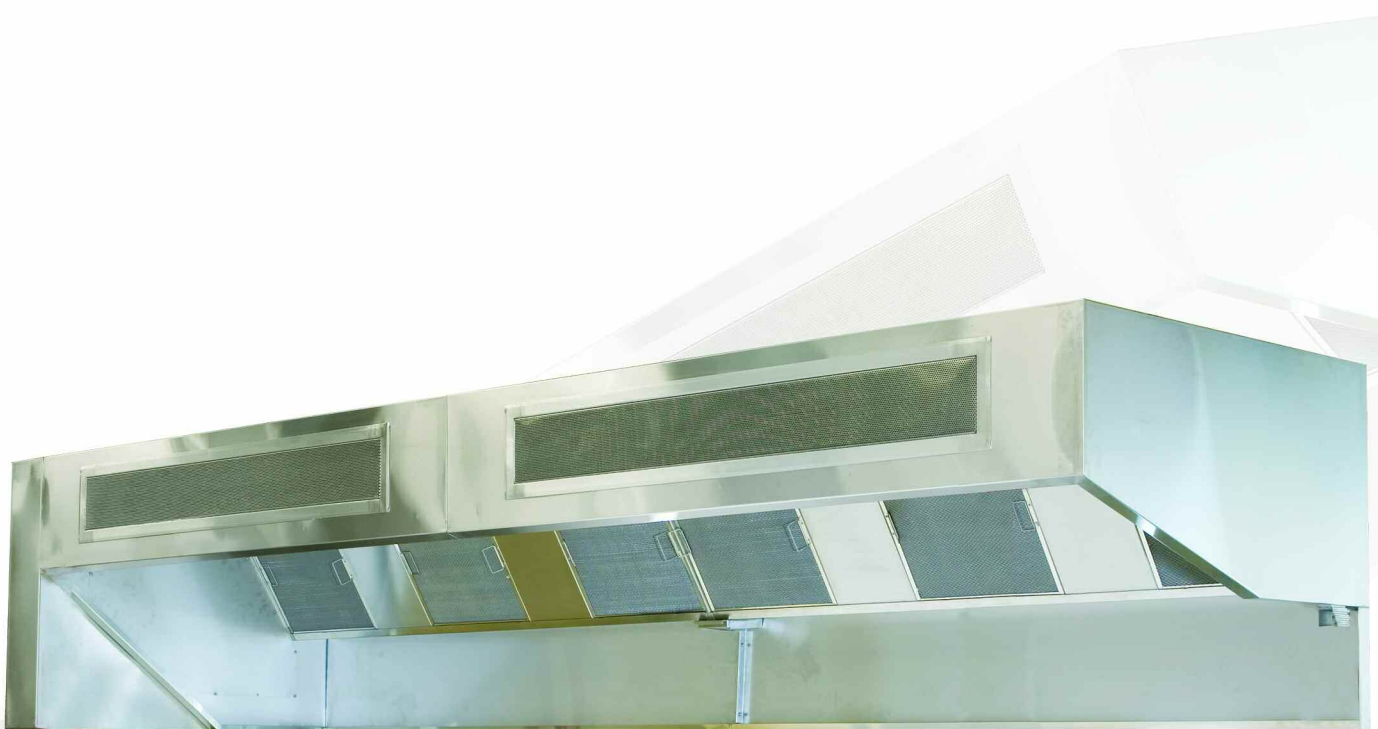


Front View

Side View

Standard Sizes

Length		Width		Height	
600	X	800	X	600mm	Single
900	X	300	X	600mm	Double
1200	X	300	X	600mm	Triple



Compensated Air Canopy

Canopies

Designed and manufactured to your specifications

Canopies are individually manufactured to suit each location after inspection and consultation with the customer. Designs carried out by experienced engineers. Complete installation service available by F3 Ventilation Department by fully qualified engineers. Ventilation system can also be designed, manufactured and installed to suit site conditions. All units are manufactured in 304 quality stainless steel to withstand temperatures of 800°C. All design, manufacture and installations are carried out in strict accordance with HVCA Specification DW/171.

Optional Items

- Wall Cladding
- Various Grease Filter Arrangements
- Lighting
- Fire Suppression
- Valance
- Ventilation System
- Gas Solenoid Interface
- Supply Air

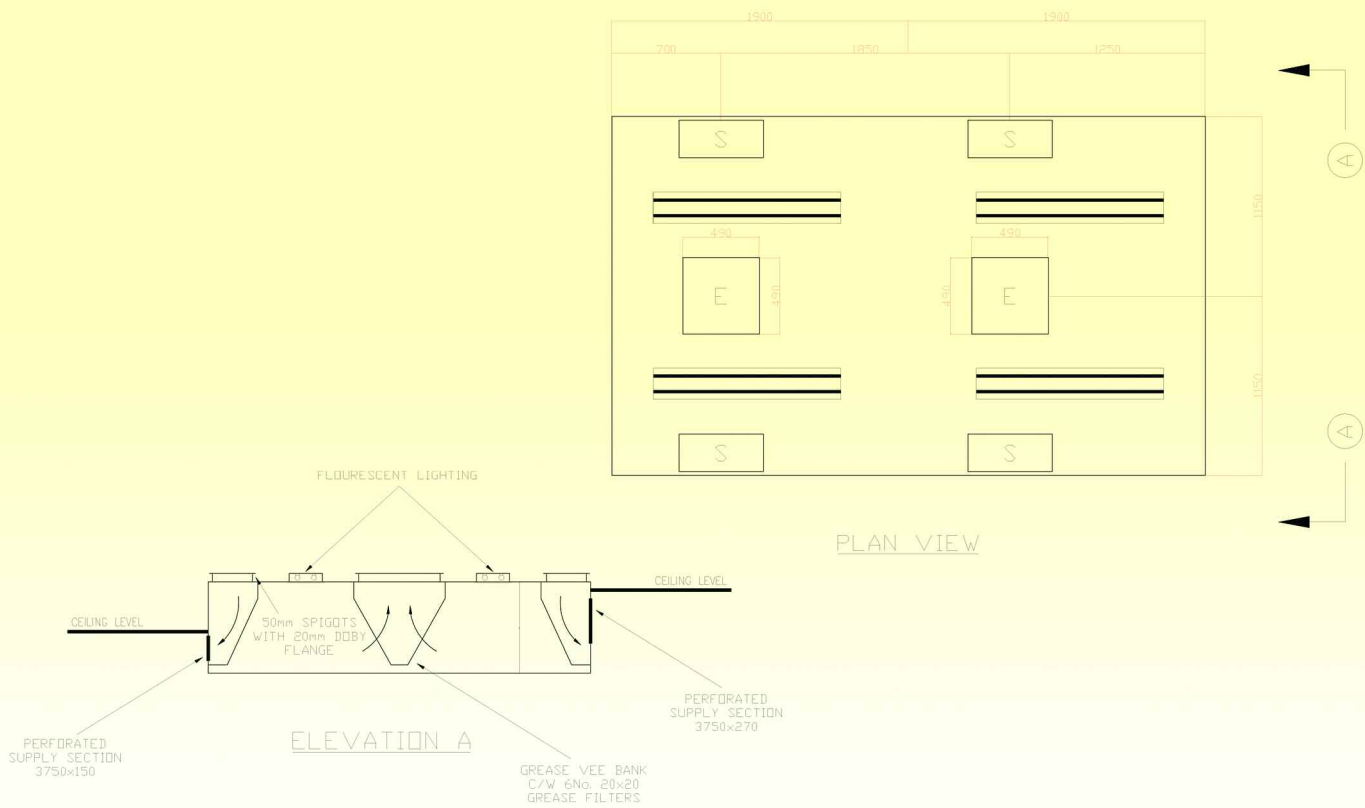
Bespoke Products available on request.



F3

- FOOD ENGINEERING
- VENTILATION
- MAINTENANCE

35 Seagoe Industrial Estate,
Portadown, Co. Armagh
Northern Ireland BT63 5QD.
T: 028 3833 9770
F: 028 3835 0220
info@f3-eng.com
www.f3-eng.com



**Example of Island Type
Compensated Air Canopy**

F.F.L



Ambient Cupboards

Designed and manufactured to your specifications

A range of high quality, heavy duty, easy to clean stainless steel ambient storage cupboards with 1.5mm thick 304 quality stainless steel top and two undershelves. Manufactured as individual items or can be incorporated into servery.

Optional Items

- Choice of Outer Surface
- Tray Slide
- Castors
- Doors
- Kick Plate
- Drawer Units

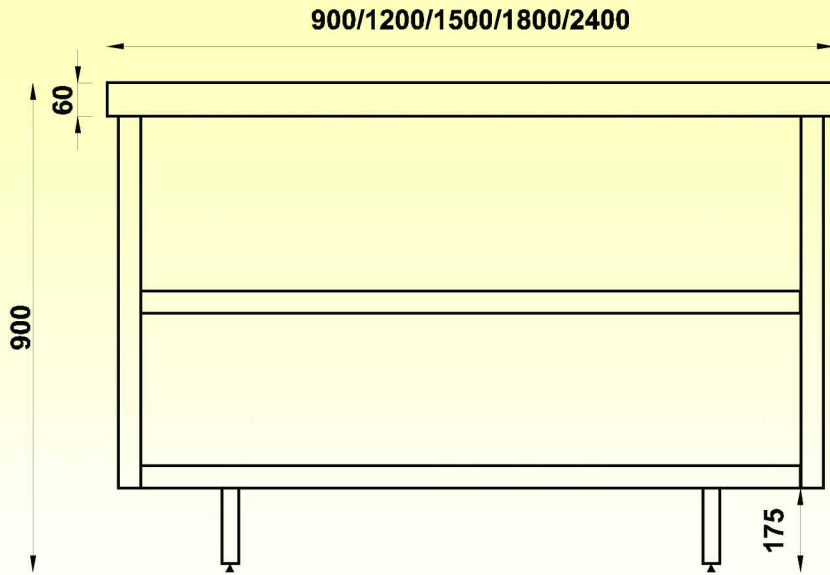
Bespoke Products available on request.



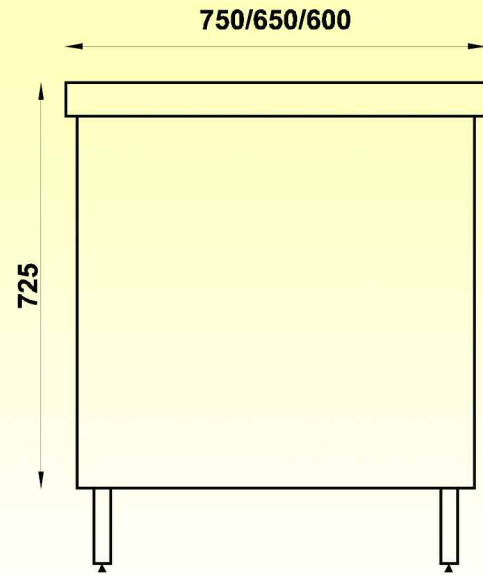
F3

- **FOOD ENGINEERING**
- **VENTILATION**
- **MAINTENANCE**

35 Seagoe Industrial Estate,
Portadown, Co. Armagh
Northern Ireland BT63 5QD.
T: 028 3833 9770
F: 028 3835 0220
info@f3-eng.com
www.f3-eng.com



Front View



Side View

Standard Sizes

Length		Width
900	X	600/650/750mm
1200	X	600/650/750mm
1500	X	600/650/750mm
1800	X	600/650/750mm
2400	X	600/650/750mm



Hot Cupboards

Designed and manufactured to your specifications

A range of high quality, heavy duty easy to clean Hot Cupboards with stainless steel exterior surface and top. Outside surfaces are double skinned and insulated for maximum energy conservation. Heating is provided by incoloy sheathed elements and variable thermostats. Manufactured as individual items or can be incorporated into servery.

Optional Items

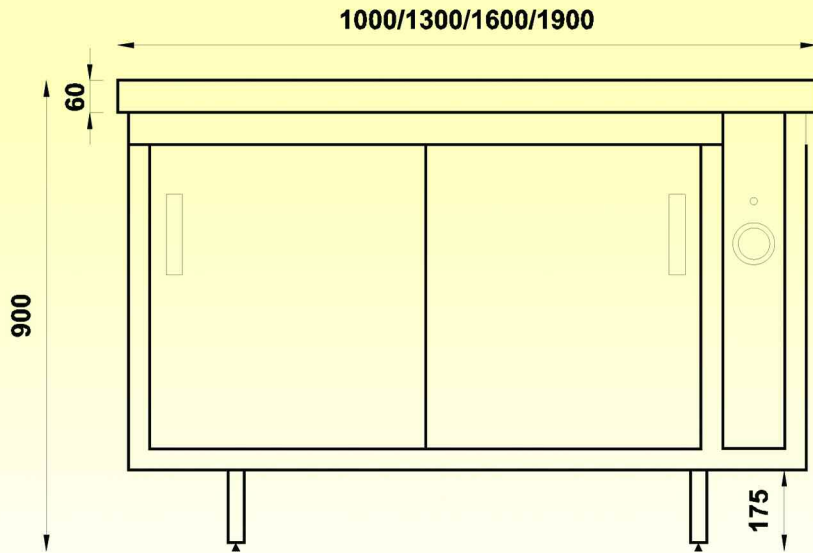
- Choice of Outer Surface
- Castors
- Doors both Sides
- Temperature Display
- Tray Slide
- Light Gantry
- Fan Assisted Heating

Bespoke Products available on request.

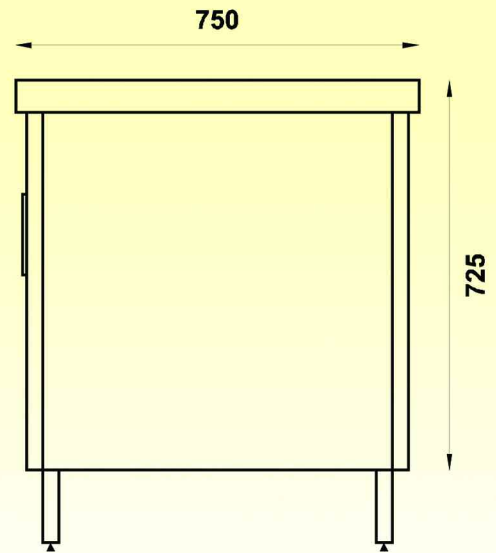

F3

- **FOOD ENGINEERING**
- **VENTILATION**
- **MAINTENANCE**

35 Seagoe Industrial Estate,
 Portadown, Co. Armagh
 Northern Ireland BT63 5QD.
 T: 028 3833 9770
 F: 028 3835 0220
 info@f3-eng.com
 www.f3-eng.com



Front View



Side View

Standard Sizes

Length		Width		Height
1000	X	750	X	900mm
1300	X	750	X	900mm
1600	X	750	X	900mm
1900	X	750	X	900mm